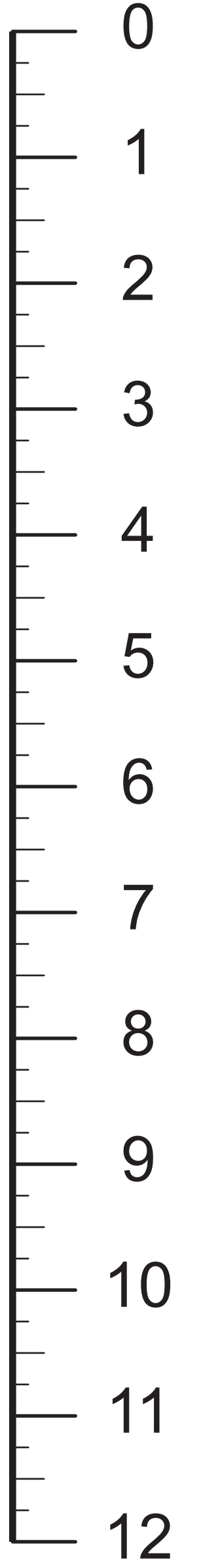
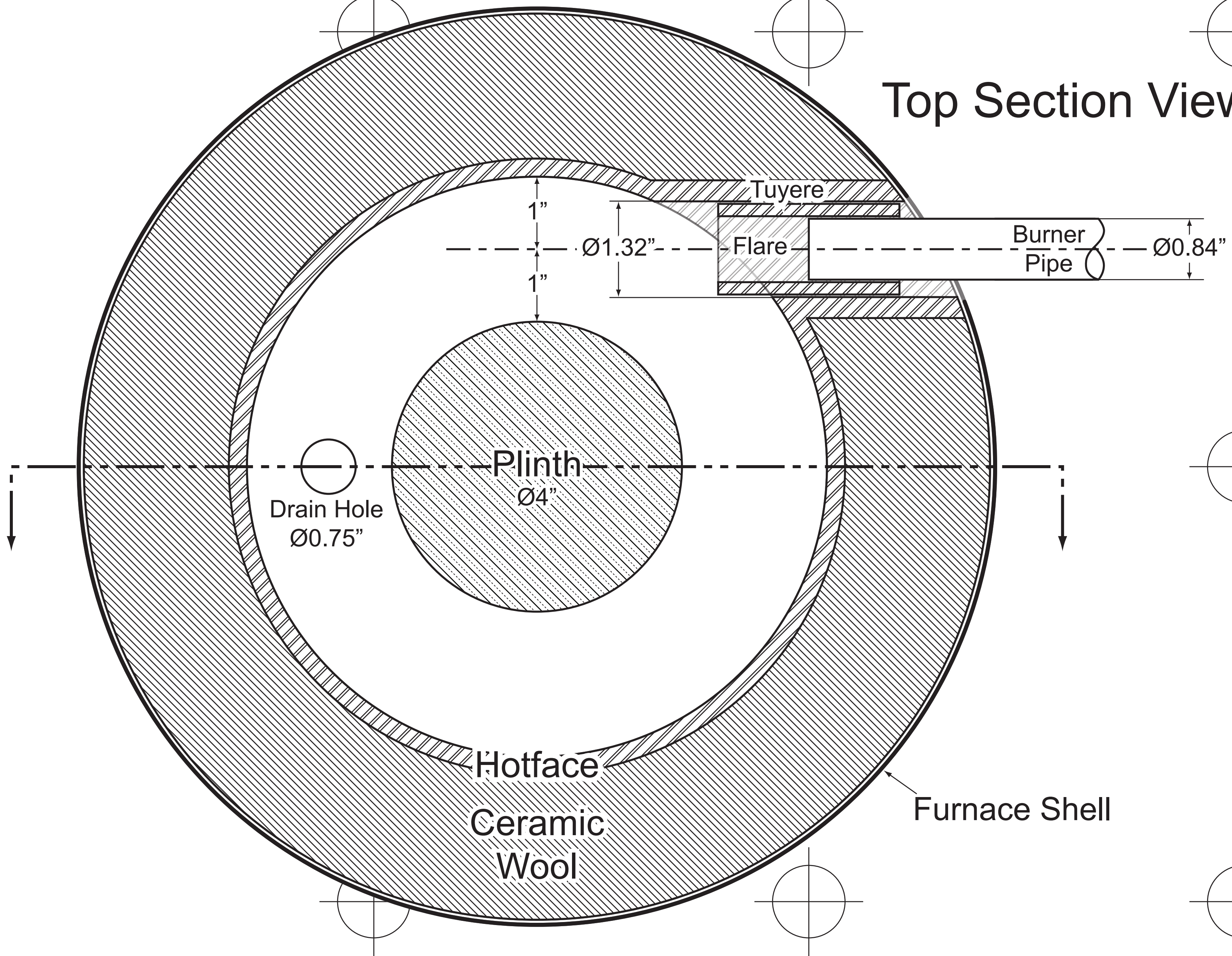


Inches



Top Section View



Side Section View

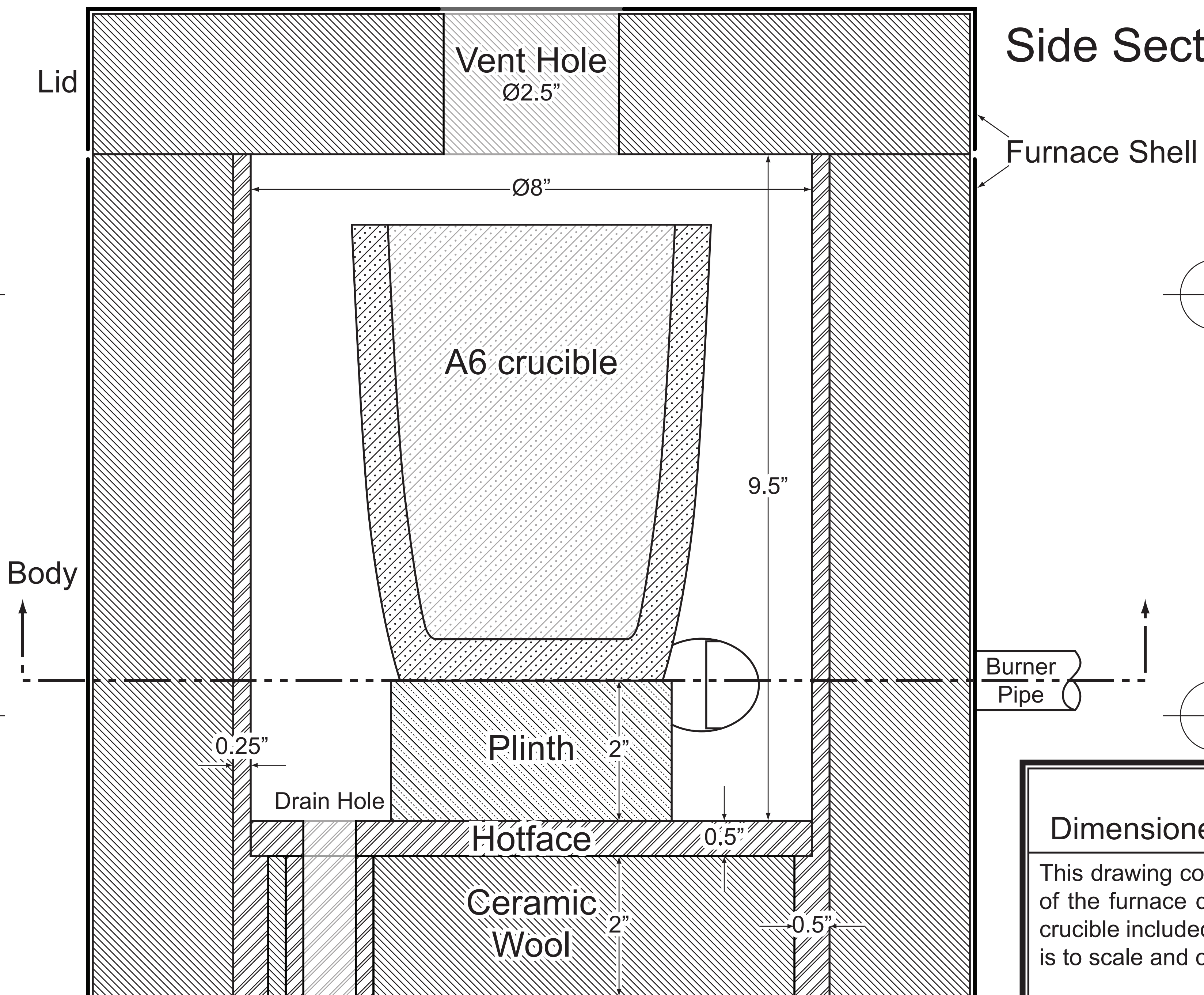


Figure VI-1:

Dimensioned scale section drawing

This drawing contains top and side section views of the furnace detailed in Section VI, with an A6 crucible included for scale purposes. The drawing is to scale and can be used as such.

This is the full (vector) version of the original drawing.